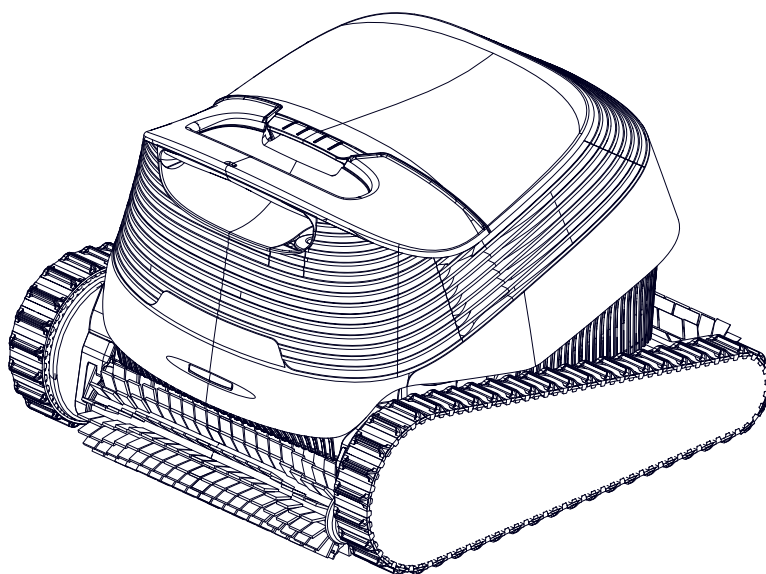


BASIC 19

Maytronics Dolphin robotic pool cleaner

EN

User Instructions



EN

BASIC 19

Robotic Pool Cleaner

User Instructions

Contents

1. INTRODUCTION	2
2. SPECIFICATIONS	2
3. WARNINGS AND CAUTIONS	3
4. ROBOTIC POOL CLEANER PARTS	4
5. USING THE ROBOT	5
5.1 Setup	5
5.2 Place the Robot in the Water	6
5.3 Robot Indicator Lights.....	6
5.4 Remove the Robot from the Water.....	7
6. OFF-SEASON STORAGE.....	8
7. CLEANING THE FILTER BASKET	9
7.1 Quick Rinse After Removing From Pool	9
7.2 Periodic Filter Cleaning.....	10
7.3 Clean the Impeller	11
8. TROUBLESHOOTING	12

1. INTRODUCTION

Thank you for purchasing a Maytronics Robotic Pool Cleaner.

We are sure that your Maytronics Robotic Pool Cleaner will provide you with reliable, convenient and cost-effective pool cleaning.

Its reliable filtration in all pool conditions, active brushing, and all-surface climbing brush enhance maximum pool hygiene.

The Robotic Pool Cleaners by Maytronics deliver advanced cleaning technology, long lasting performance and easy maintenance. You and your family will be free to enjoy swimming with full confidence that your pool is completely clean.

2. SPECIFICATIONS

Use the pool cleaner only in the water conditions listed below:

Chlorine	Max 4 PPM
pH	7.0-7.8 PPM
Temperature	6-35°C / 43-95°F (below 15°C / 59°F climbing performance may be affected)
NaCl	Maximum = 5000 PPM

Robot

Motor protection: IP 68

Minimum depth: 0.4m/1.33ft

Maximum depth: 5m/16.4ft

Digital switch-mode power supply

IP 54

Input: North America - 115 VAC, 50-60 Hz

Rest of the World - 100-240 VAC, 50-60 Hz

Output: <30 VDC

This product complies with EU Directives 2014/35/EU, 2014/53/EU, 2014/30/EU, RoHS and REACH. For full information, please contact us at www.maytronics.com/contact-us-en and ask for the EC declaration of conformity.

3. WARNINGS AND CAUTIONS

IMPORTANT SAFETY INSTRUCTIONS

READ AND FOLLOW ALL INSTRUCTIONS

WARNINGS:

1. Position the power supply at least 3 meters (10 ft) from the pool's edge during operation.
2. Always remove the robotic pool cleaner from the pool before people enter the water.
3. Disconnect the power supply before inspecting the robotic pool cleaner.
4. Cleaning and maintenance must not be performed by children. Keep the cleaner out of reach of children or individuals with reduced physical, sensory, or mental capabilities, unless they are supervised or instructed.
5. Use only the original power cord. If damaged, it must be replaced by a certified technician.
6. The power supply must be connected through a residual current device (RCD) with a rated residual operating current not exceeding 30 mA.

For USA/Canada installations:

The power supply must be connected only to a supply circuit that is protected by a ground fault circuit interrupter (GFCI). This GFCI should be tested on a routine basis. To test the GFCI, push the test button. The GFCI should interrupt power. Push the reset button. Power should be restored. If the GFCI fails to operate in this manner, the GFCI is defective. If the GFCI interrupts power to the power supply without the test button being pushed, a ground current may be flowing, indicating the possibility of an electric shock. Do not use the power supply. Disconnect the power supply and contact the manufacturer for assistance.

7. To reduce the risk of electric shock, replace a damaged cord immediately.
8. Do not use an extension cord. Ensure a properly located outlet is available.

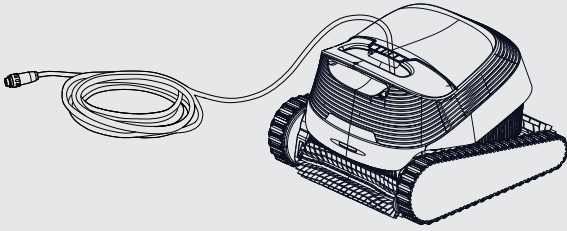
CAUTIONS:

1. Only trained operators should operate the robotic pool cleaner.
2. Keep hands away from the drive belt mechanism during operation.
3. To prevent electric shock, place the power supply unit at least 11 cm (4 in) above ground level.
4. When lifting the cleaner, take care to avoid back injury. Let the robot drain water at the pool edge before carrying it.
5. Do not bury the cord. Store it safely to prevent damage from lawn mowers, hedge trimmers, or other equipment.
6. Do not use the pool cleaner if liquid flocculants or clarifiers have been added to the pool. These substances can clog or damage the filters.

SAVE THESE INSTRUCTIONS

4. ROBOTIC POOL CLEANER PARTS

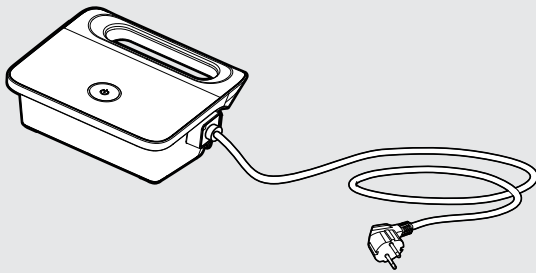
▶ Robotic Pool Cleaner Model Basic 19



To prevent plastic deterioration:

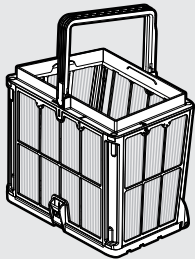
- Rinse the robot, cable, and filter when removing from pool then place in the shade or under the Caddy cover, which you can acquire on the Maytronics accessories page.
- Remove the robot from the pool whenever chemical shocking.

▶ Power supply



It is splashproof, but we recommend storing it in a dry location during wet seasons as heavy rain can damage it.

▶ Filtration



To prolong the filters lifespan and keep it cleaner, rinse the filter before the debris dries and is much harder to remove.

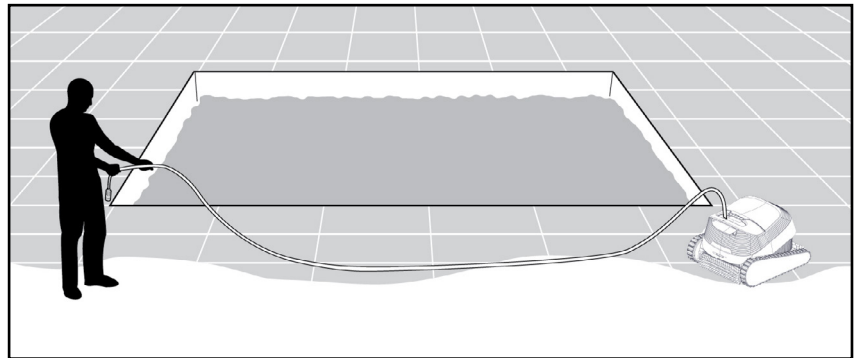
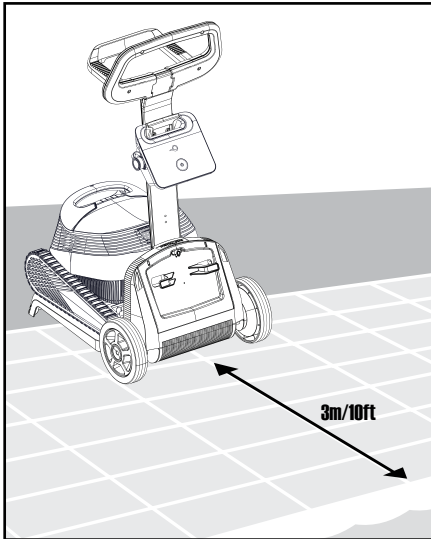
5. USING THE ROBOT

5.1 Setup

The robot is very simple to use. Place it in the pool and make sure that it is correctly positioned on the floor of the pool.

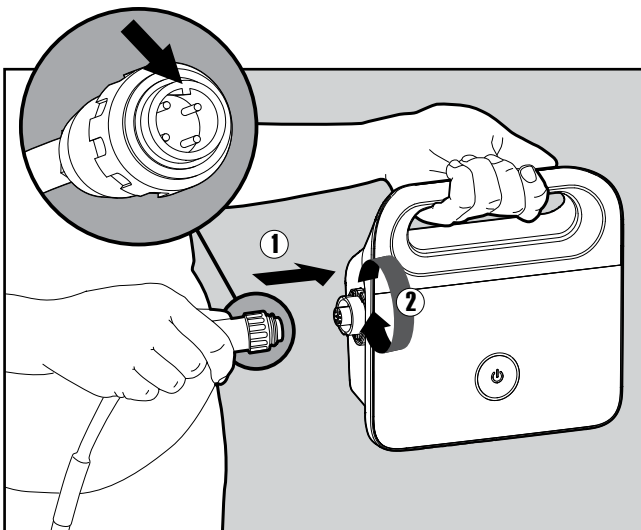
Turn it ON and enable it to complete the task.

Before using the robot for the first time, perform the following steps:

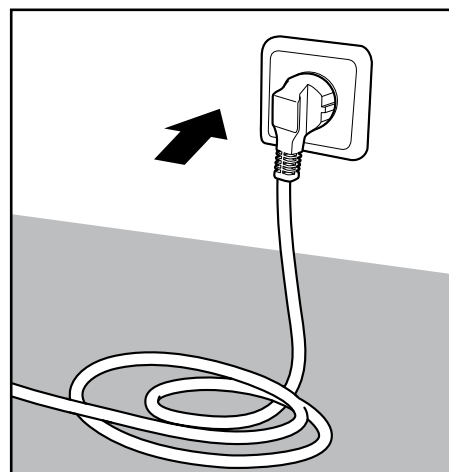


5.1.1 Position the power supply so that it is approximately in the middle of the long side of the pool at a distance of 3m/10ft. Cover or store in a dry location. Heavy rain can damage the power supply.

5.1.2 To release cable twists, once a week disconnect the cable from the power supply, straighten it, then coil and reconnect it to the power supply.



5.1.3 Attach the blue cable to the power supply by inserting it with the tongue on the connector (1) lined up to the groove in the socket on the power supply. Turn it clockwise to seal (2).

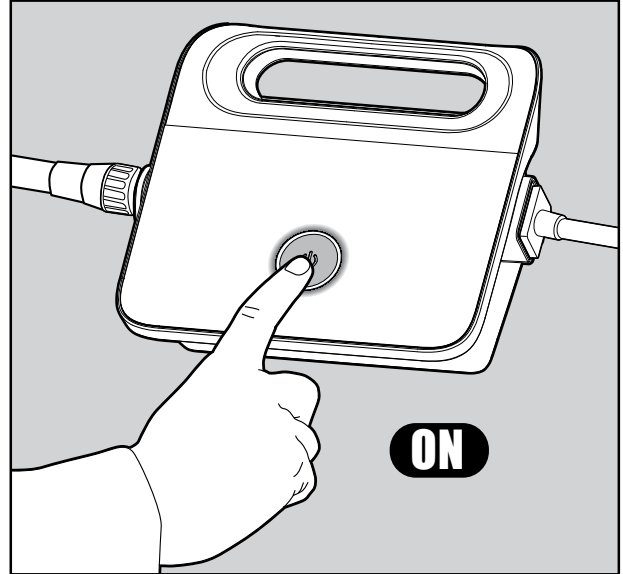


5.1.4 Plug in the power supply and leave it OFF until the robot is in the water.

5.2 Place the Robot in the Water



5.2.1 Place the robot into the pool and let it sink to the floor. Make sure that the blue cable is free of any obstructions.



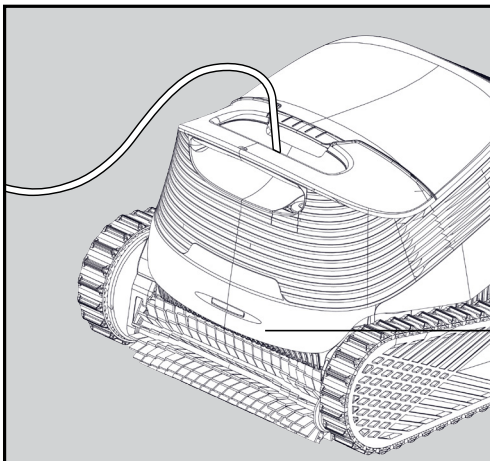
5.2.2 Turn the power supply ON. The robot will now operate until it has reached the end of the cleaning cycle.

To activate the week-long cleaning schedule, long-press the power button until it blinks twice.

The filter will need to be cleaned at the end of the week and the weekly timer will need to be activated again. Remove the robot if chemical shocking the pool to protect the plastic.

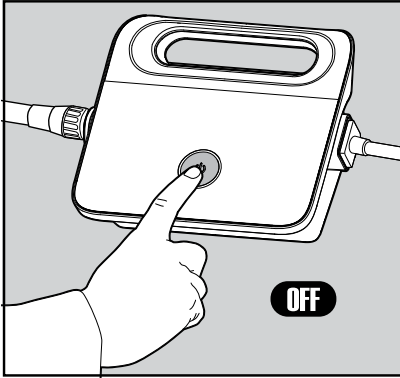
5.3 Robot Indicator Lights

Light	Indication
Blue blinking	Normal operation
Red blinking	Error (For eligible models only)



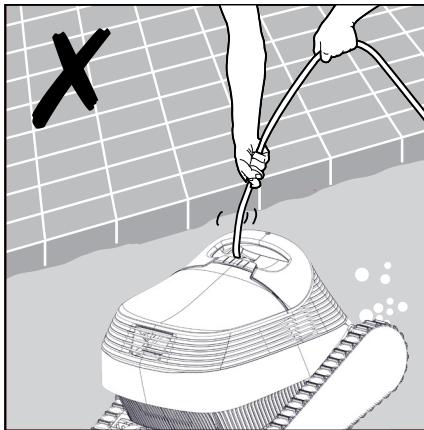
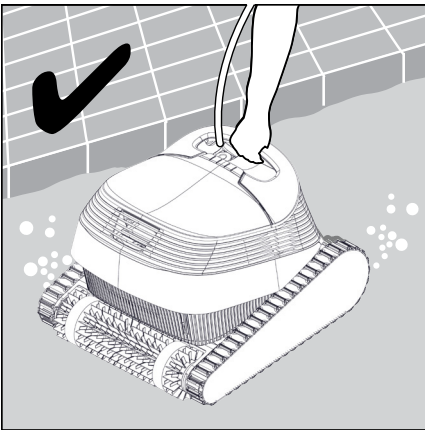
5.3.1 Indicator lights.

5.4 Remove the robot from the Water



Turn OFF the power supply.

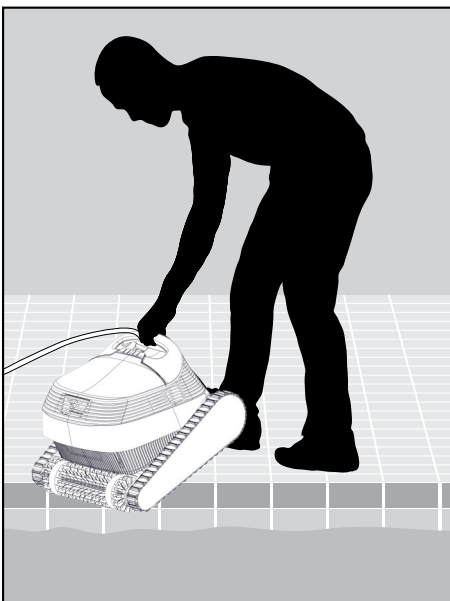
5.4.1



5.4.2 Using the blue cable, bring the Pool Cleaner to the pool edge. Use the handle to remove the Pool Cleaner from the pool.



Use the blue cable to pull the robot as far as the water surface, then use the handle. Using the cable to pull it above the waterline could damage the connection.

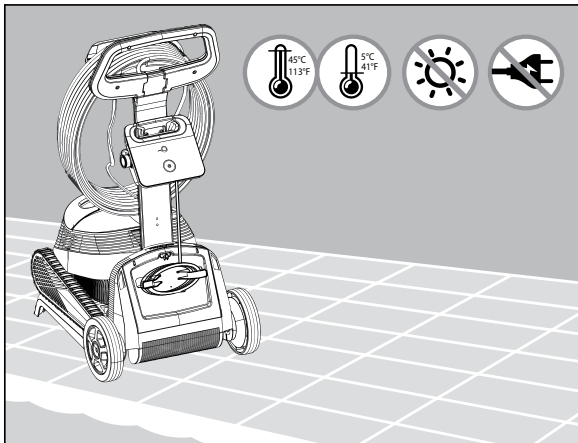


5.4.3 Place the robot on the edge of the pool to let the water drain out.

6. OFF-SEASON STORAGE

If the robotic pool cleaner will not be in use for an extended period of time, perform the following storage steps:

- Unplug the power supply.
- Make sure that no water is left in the robotic pool cleaner.
- Thoroughly clean the filter basket and panels and insert them back in place.
- Roll up the blue cable so that it has no kinks.
- Store the robotic pool cleaner in a protected area out of direct sun/rain/frost, at a temperature of between 5°-45°C / 41°-113°F.

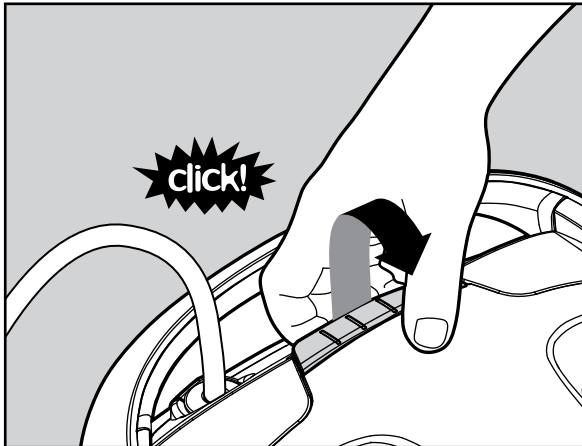


7. CLEANING THE FILTER BASKET

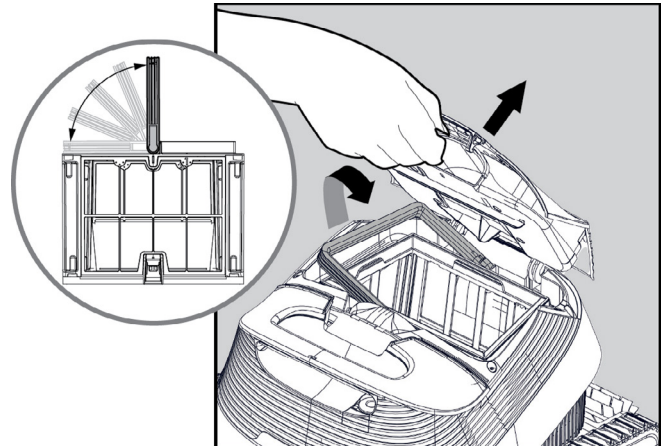
 **Unplug the power supply before maintaining**



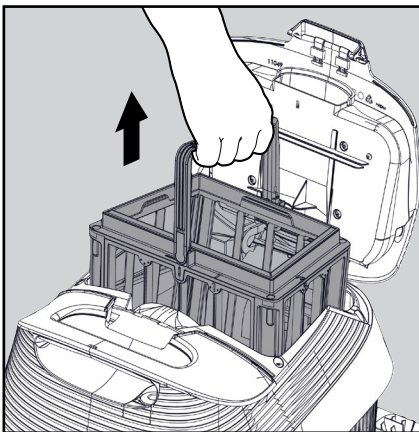
7.1 Quick Rinse After Removing From Pool



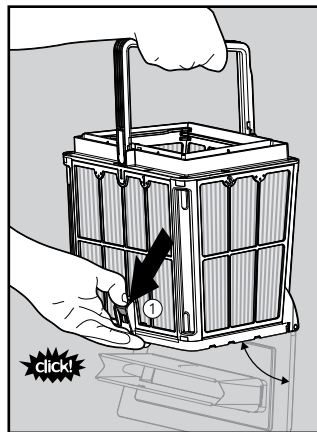
7.1.1 Open the filter cover.



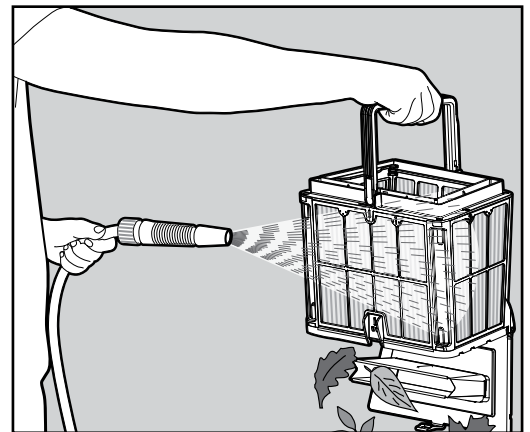
7.1.2 The handle will lift up independently.



7.1.3 Remove the basket.



7.1.4 Open the latch to release the bottom lid.

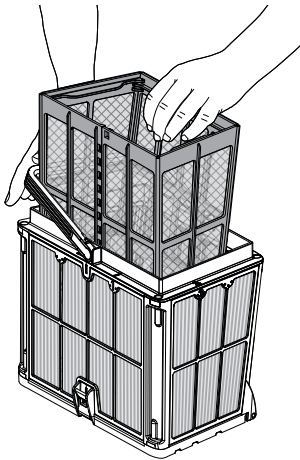


7.1.5 Clean the filter basket and the robot with a hose.

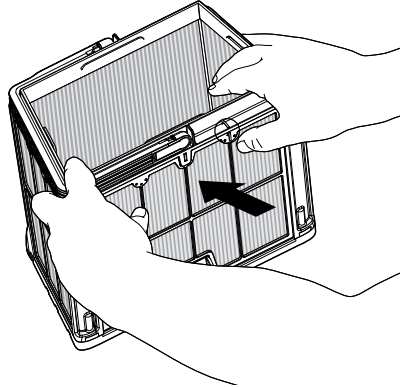
7.2 Periodic filter cleaning

In addition to cleaning after use you should clean the filters periodically. It is recommended to do this about once a month.

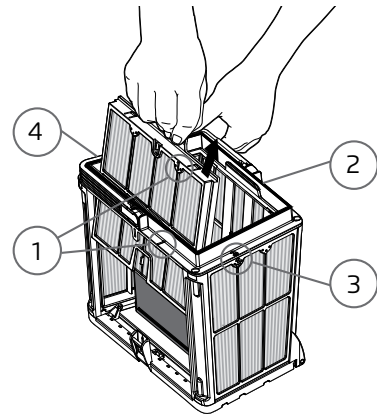
When you perform periodic cleaning, you should first dismantle the 4 ultra-fine filter panels of the outer basket, as per the following steps.



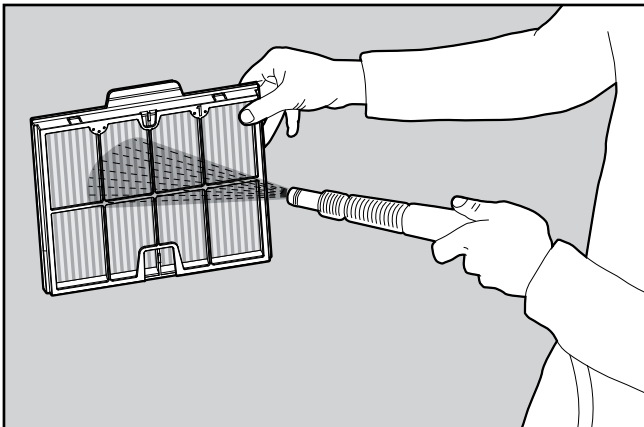
7.2.1 Hold down the handle and remove the inner net basket.



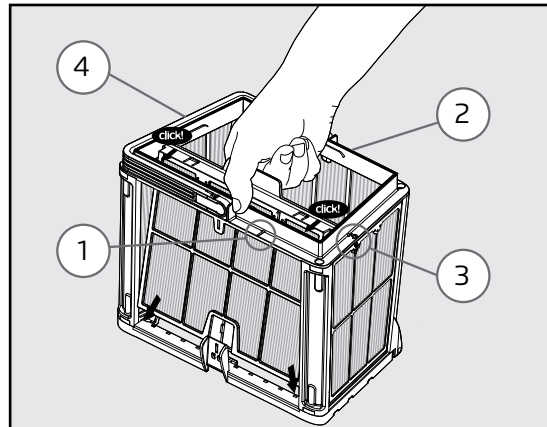
7.2.2 Dismantle the panels using your thumbs to press on panel 1.



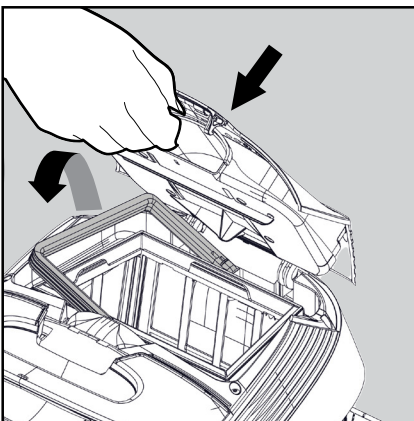
7.2.3 Continue to dismantle panels 2, 3, 4 in the same manner.



7.2.4 Clean the filter panels with a hose.



7.2.5 Reassemble the filter panels in the order 4 → 3 → 2 → 1.



7.2.6 Insert the clean filter basket and close the filter cover.



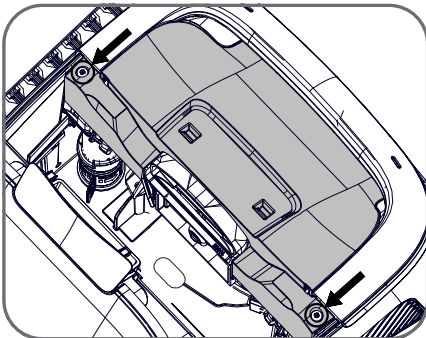
Do not force the filters into place.

7.3 Clean the Impeller

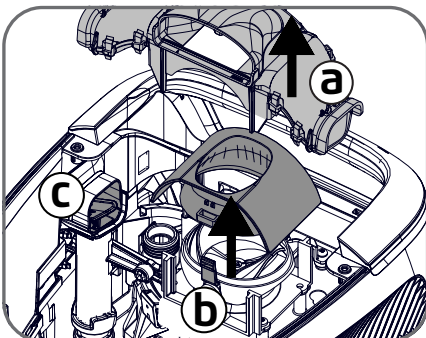
If there is debris trapped in the impeller or stairs cleaning hose, it should also be cleaned as follows.



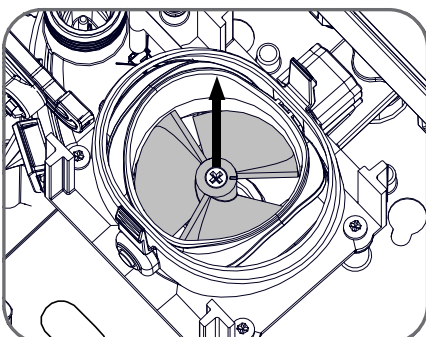
Caution: Use a Phillips screwdriver only, not an electric screwdriver.



1. Remove 2 screws and remove the cover.



2. a. Remove the exhaust manifold.
b. Squeeze the two tabs on the sides to remove the servo cap.
c. Check and clean any debris from the Steps Jet pipe.



3. **Carefully** remove debris and hair. Use tweezers or small pliers. The impeller blades are sharp. If needed, remove the impeller screw and carefully but assertively lift the impeller out to clean the debris.

8. TROUBLESHOOTING



Unplug the power supply before performing any action.



Symptom	Possible reason	Corrective action
The power supply or its ON/OFF LED are not working.	<ul style="list-style-type: none"> No voltage in the power socket in the wall. The power supply is not ON. The power cord is not properly connected to the electrical outlet. The Ground Fault Interrupter is OFF. 	<ul style="list-style-type: none"> Make sure that there is voltage in the power socket in the wall. Make sure that the power supply is plugged in and turned ON. Make sure that the power cord is securely connected all the way into the power supply. Turn OFF the power supply. Wait 30 seconds, then turn on. If your wall power outlet has a surge protector with test/reset buttons, push the reset button until it clicks.
The robot does NOT move.	<ul style="list-style-type: none"> The blue cable is not properly connected to the power supply outlet. An obstacle is blocking the impeller, tracks, or wheels. 	<ul style="list-style-type: none"> Check that the blue cable is securely connected to the power supply. Unplug the power supply. Open the impeller cover and check that nothing is trapped in the impeller (see illustrations at 7.3). Verify that nothing blocks the tracks or wheels.
The robot is moving in circles.	<ul style="list-style-type: none"> Clogged filter basket. Debris stuck in the impeller housing or impeller cover. Power supply incorrectly positioned. Algae buildup or pool water does not meet specifications. 	<ul style="list-style-type: none"> Clean the filter basket. Remove debris stuck in the impeller housing or impeller cover (see illustrations at 7.3). Place power supply in a position that enables the robotic pool cleaner to freely reach the entire pool area. Correct pool and water conditions.
The robot moves but does not clean the pool.	<ul style="list-style-type: none"> Clogged filter basket. Debris stuck in the impeller housing or impeller cover. Front/rear brushes are worn out. 	<ul style="list-style-type: none"> Clean the filter basket. Remove debris stuck in the impeller housing or impeller cover (see illustrations at 7.3). Replace worn out brush.
The robot cleans only part of the pool.	<ul style="list-style-type: none"> Power supply incorrectly positioned. Not enough blue cable is released for the correct operation of the robotic pool cleaner. The filter gets clogged during the cleaning cycle. 	<ul style="list-style-type: none"> Place the power supply in a position that enables the robotic pool cleaner to freely reach the entire pool area, while verifying a minimal distance from the pool of 3 m (10 ft) and minimal height above the ground of 11 cm (4 in). Check that there is enough slack in the blue cable for the robotic pool cleaner to reach the entire pool. Clean the filter basket. If the pool is very dirty, remove the ultra-fine filters (see illustrations 7.2.1 -7.2.6). Rinse them so that debris does not harden on permanently.
The blue cable has kinks.	<ul style="list-style-type: none"> The cable got tangled. 	<ul style="list-style-type: none"> To remove the kinks, stretch the blue cable out completely and let it sit in the sun.
The robot doesn't climb the walls.	<ul style="list-style-type: none"> Clogged filter basket. Algae on walls. Unsuitable pH level. Debris stuck in the impeller housing or impeller cover. Front/rear brushes are worn out or not the right model for smooth pool surfaces. 	<ul style="list-style-type: none"> Clean the filter basket. Check the level of chemicals in the water. Improper levels may allow the growth of algae, making the walls slippery. If so, adjust the levels and scrub the walls. Remove debris stuck in the impeller housing or impeller cover (see illustrations at 7.3). Replace worn out brush, or purchase combined or wonder rear-brush.

If these solutions do not solve your problem, contact Maytronics Customer Care:

North America

1-888-365-7446 ext. 1002

customersupport@maytronicsus.com

France

+33 (0)4 42 98 14 90

support@maytronics.fr

Australia, NZ, South Africa

1 300 693 657

infoau@maytronics.com

Rest of the world / Maytronics HQ

00 800 69694141 (toll free number)

00 972 77 96 14 204 (international call)

wecare@maytronics.com

For full information and additional troubleshooting please visit us at: www.maytronics.com